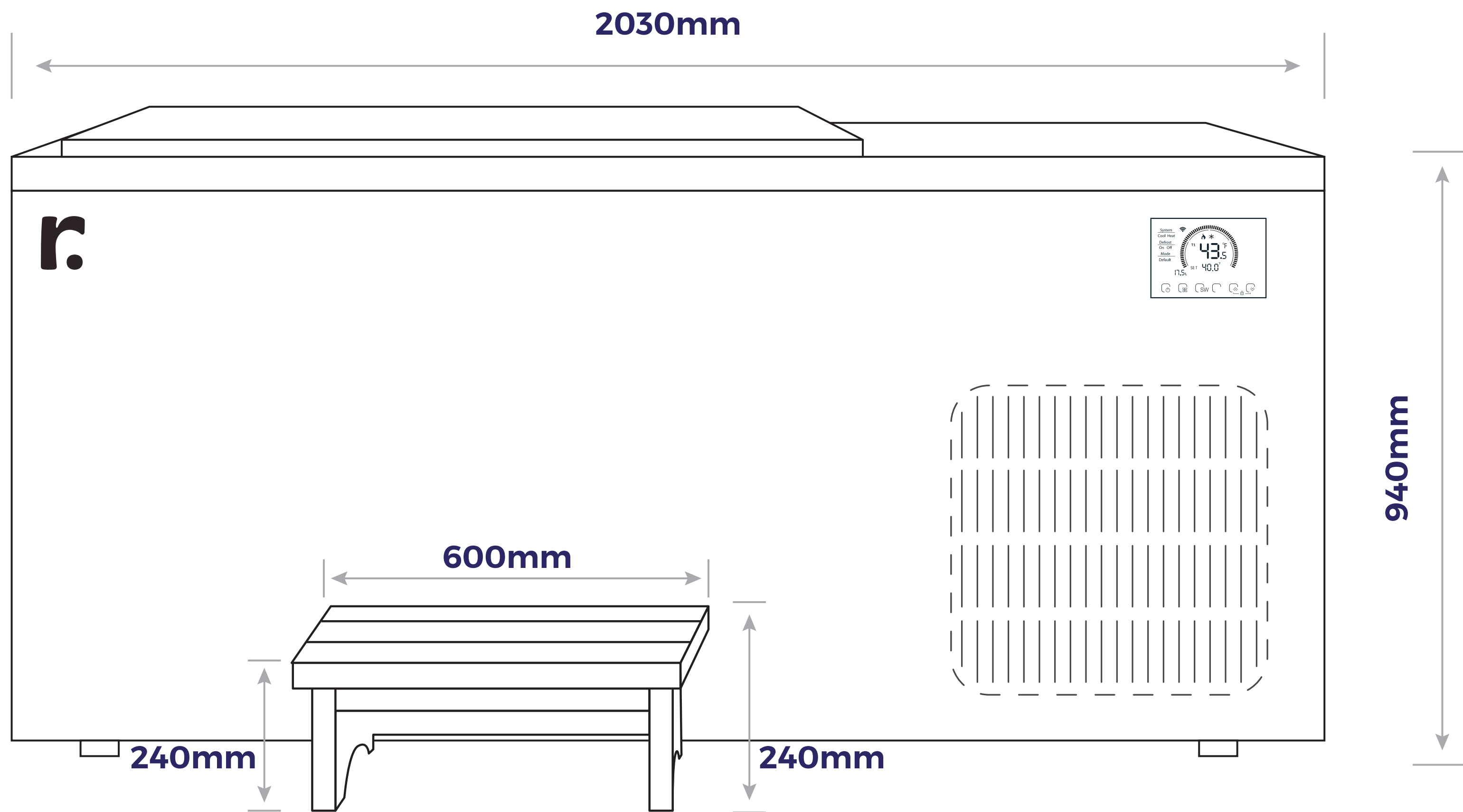
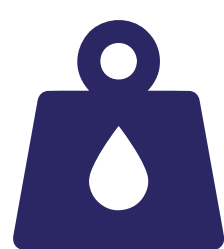


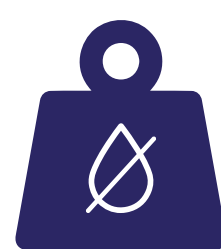
**NOTE:** A standoff of 500mm is also required for chiller fan ventilation at front.



**NOTE:** A Minimum Standoff Of 400mm Space Is Required On The Right Side For Adequate Chiller Compartment Access



**WET WEIGHT**  
700KG



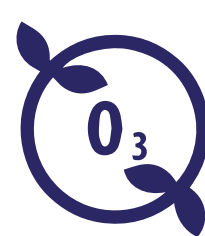
**DRY WEIGHT**  
210KG



**CHILLER**  
1HP or 2HP



**TEMPERATURE RANGE**  
3C -42C



**SANITATION**  
OZONE



**PLUG**  
1 X 10AMP